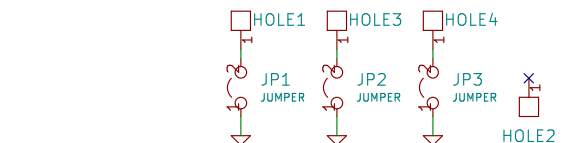
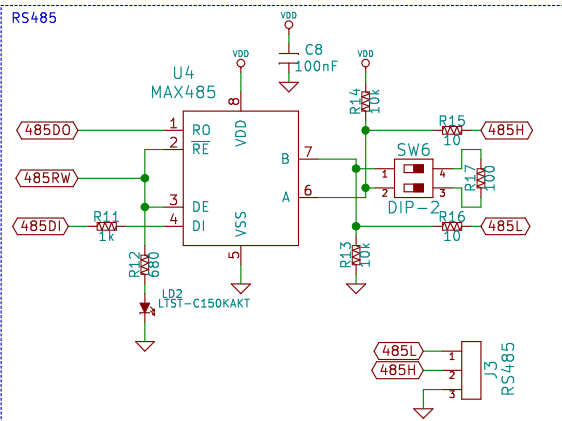
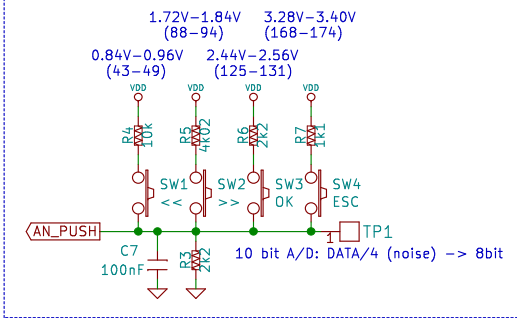


PUSHBUTTONS
MULTIPLE PUSH PRESSURE RESULT

10//4k02	= 2.17V (109-113)
10//2k2	= 2.75V (139-143)
4k02//2k2	= 3.04V (153-157)
10//4k02//2k2	= 3.19V (161-165)
10//1k1	= 3.45V (175-179)
4k02//1k1	= 3.59V (182-186)
10//4k02//1k1	= 3.67V (186-190)
2k2//1k1	= 3.75V (190-194)
10//2k2//1k1	= 3.88V (197-201)
4k02//2k2//1k1	= 3.90V (198-202)
10//4k02//2k2//1k1	= 3.95V (200-204)



Walter Lain
Sheet: /
File: display.sch

Title: PIC16F18877/PIC18F47Q83 Display prototyping board

Size: A4	Date: 2022-02-03	Rev: 1.1
KiCad E.D.A. kicad (5.1.12)-1		Id: 1/1