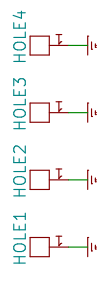
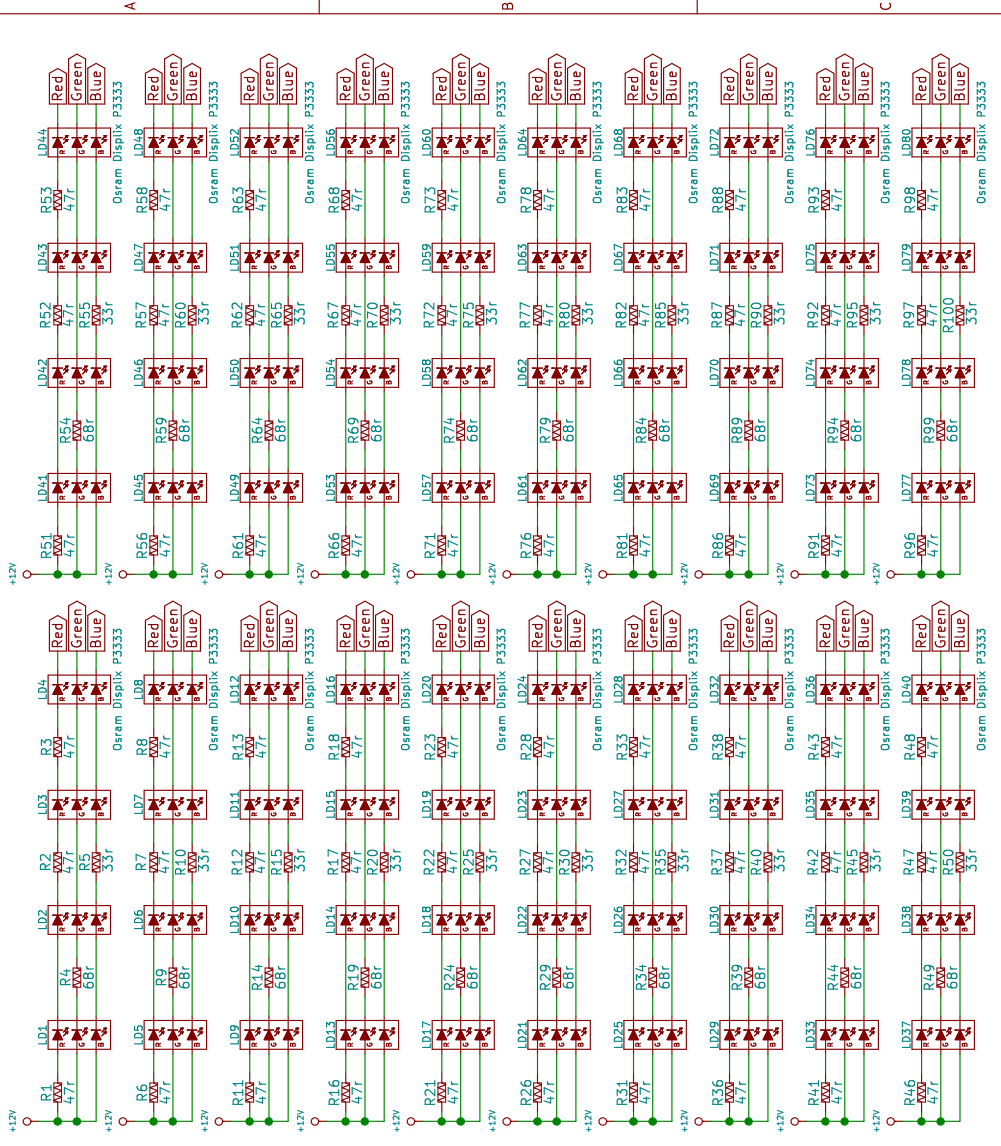
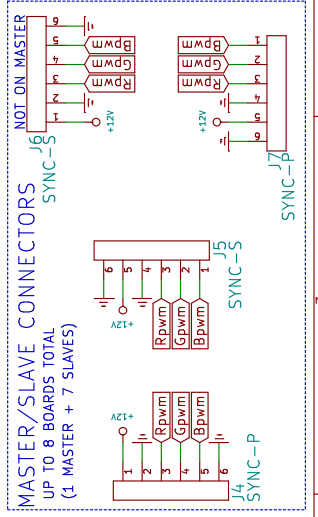
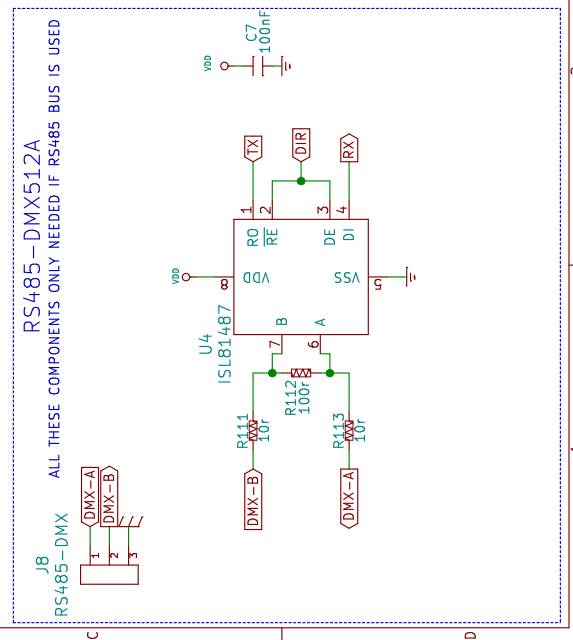
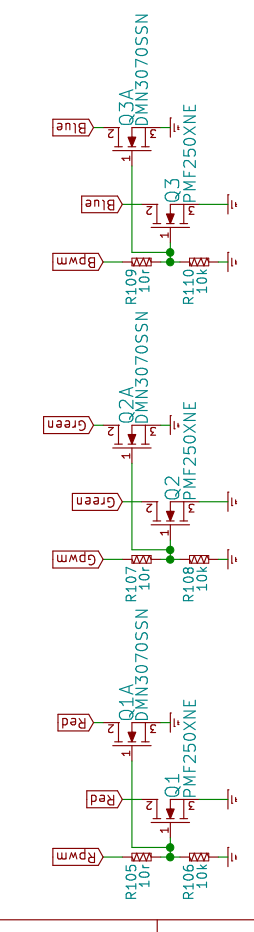
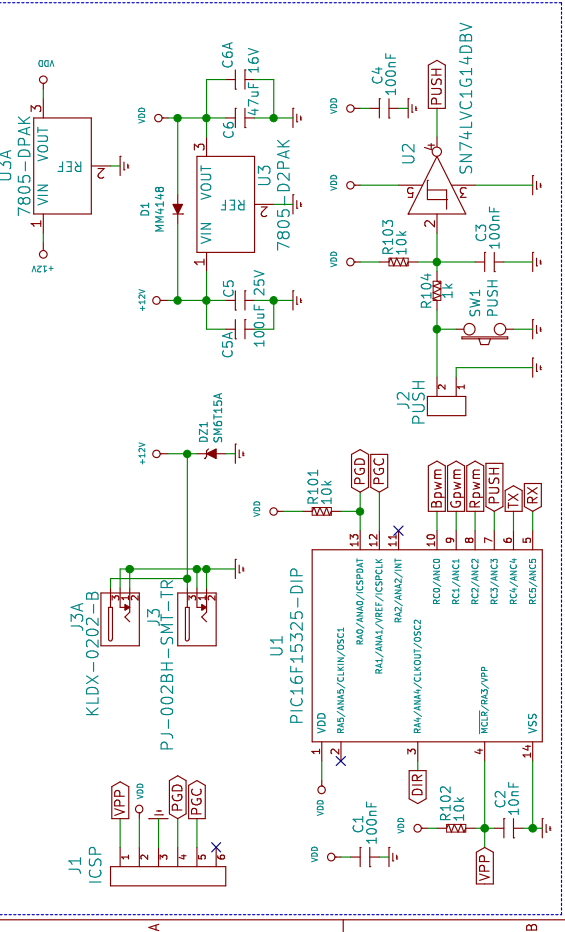


ALL THESE COMPONENTS ONLY NEEDED ON MASTER BOARDS.



Released in dual licensing CC-BY-SA / GPL3
Water Lain

Sheet: /
 File: RGB_frame.sch
Title: RGB Frame 210x210
 Size: A4 Date: 2021-01-10
 KiCad E.D.A. kicad (5.1.5)-3

Rev: 1.1
 Id: 1/1